

Series: Humanity, God's purpose – Acts 17:28

We were created for God's glory

'In him we
live and
move and
have our
being'

Acts 17:28-31 [ESV]



★ *Happy* ★
LABOR DAY



“Busy as a Hornet– Bee”

Proverbs 24:13-16 &
Ephesians 2:1-10

One of my all time frustrations is yellow jackets, they are often called “hornets”. They are less than $\frac{3}{4}$ of an inch in length which is about the size of a honey bee. Bees and Wasps are quite different creatures. Bees are not omnivorous (eat anything) but all wasps are.



Honey Bee



Wasp

**Yellow
Jacket Wasp**



Typical honey bee [top] Wasp or Hornet [center],
Yellow Jacket [bottom] closely related to Hornet.

“Busy as a Hornet– Bee”

Proverbs 24:13-16 &
Ephesians 2:1-10

Hornets and Yellow

Jackets are sub-families of wasps that are closely related. They unlike most other wasps are “eusocial” [live in a hierarchical colony with a queen, workers and male drones]. Hornets are larger generally over an inch in length. Their colonies number less than 100, while Yellow Jackets can reach 5000.

Garrison Church of God



Honey Bee



Wasp

**Yellow
Jacket Wasp**



Typical honey bee [top] Wasp or Hornet [center],
Yellow Jacket [bottom] closely related to Hornet.

Sept. 3, 2023

Proverbs 24:13-16 [ESV]

13 My son, eat honey, for it is good, and the drippings of the honeycomb are sweet to your taste.

14 Know that wisdom is such to your soul; if you find it, there will be a future, and your hope will not be cut off.

15 Lie not in wait as a wicked man against the dwelling of the righteous; do no violence to his home;

16 for the righteous falls seven times and rises again, but the wicked stumble in times of calamity.

“Busy as a ~~Hornet~~ Bee”

Proverbs 24:13-16 & Ephesians 2:1-10

The desire to be productive and useful or “Busy as a Bee”. Is a phrase we use for a person who is productive. But there is another creature like a bee that is busy, the hornet. But it’s busyness is destructive not productive. As Christians we are called to be productive not destructive in our industry.



The ancient Egyptian hieroglyph of a honey bee was a symbol for “Lower Egypt” Bees have been an important part of human agriculture for thousands of years.

“Busy as a ~~Hornet~~ Bee”

Proverbs 24:13-16 & Ephesians 2:1-10

According to Proverbs 24:13-16 there are 4 Basic Principles of a productive life.

- Seek what is good.
- Seek wisdom.
- Do not covet or destroy.
- Be perseverant.



The ancient Egyptian hieroglyph of a honey bee was a symbol for “Lower Egypt” Bees have been an important part of human agriculture for thousands of years.

“Busy as a ~~Hornet~~ Bee”

Proverbs 24:13-16 &
Ephesians 2:1-10

The symbol of Ephesus was the Bee. In Ephesians 2 Paul enjoins Christians not to live destructive lives but productive lives.

- Living Like a Hornet. vv. 1-3
- Becoming a Bee. vv. 4-9
- Living Like a Bee. vs. 10

The Honey Bee was the symbol of the city-state of Ephesus, the bee was seen as blessed by the goddess Artemis. It was a symbol of productivity, orderly community and perseverance.



Ephesus silver Hemi Stater 550 BC



Ephesus bronze Drachma 480 BC



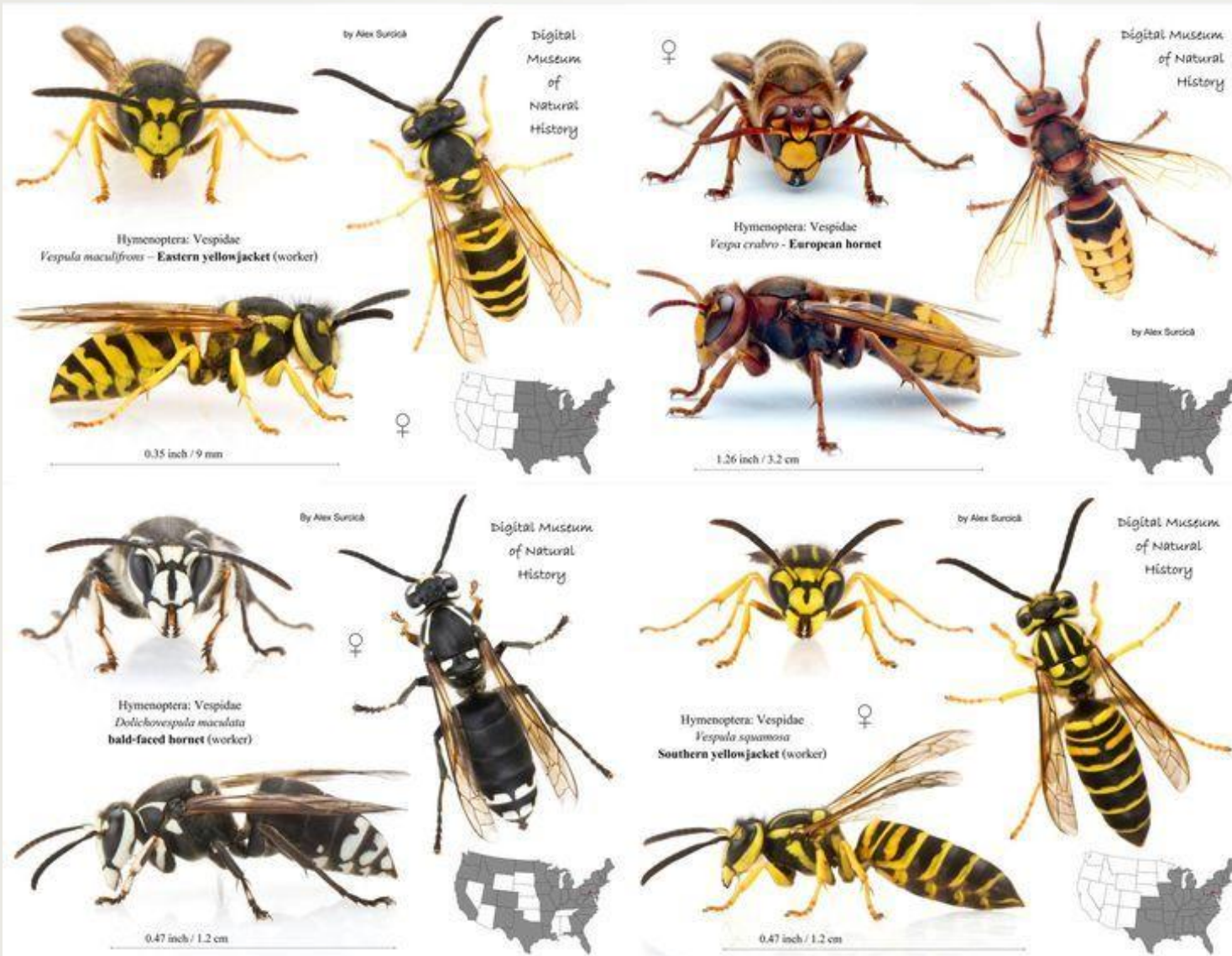
Ephesus silver Tetra-Drachma
350 BC

Ephesians 2:1-3 [ESV]

1 And you were dead in the trespasses and sins 2 in which you once walked, following the course of this world, following the prince of the power of the air, the spirit that is now at work in the sons of disobedience — 3 among whom we all once lived in the passions of our flesh, carrying out the desires of the body and the mind, and were by nature children of wrath, like the rest of mankind.

“Busy as a ~~Hornet~~ Bee”

Proverbs 24:13-16 & Ephesians 2:1-10

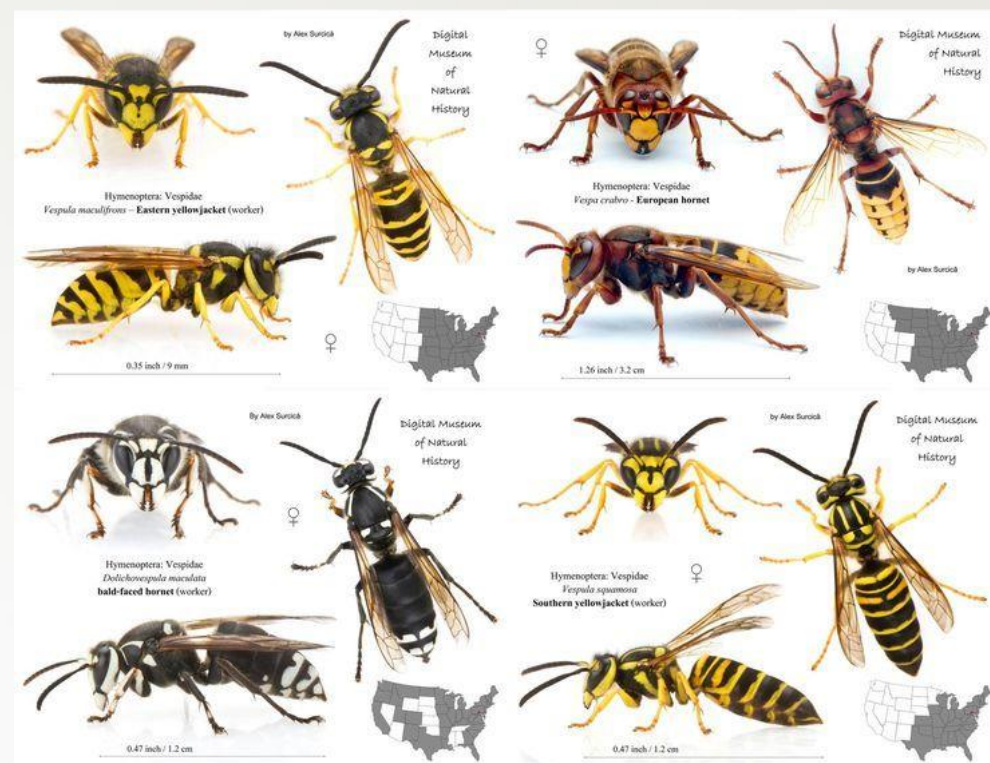


Yellow Jackets are not technically “hornets”, they are in the same “family” of wasps. Often called “hornets” they act like their bigger cousin. A hornet exceeds $\frac{3}{4}$ ". There are 4 species of Yellow Jackets in the USA.

“Busy as a ~~Hornet~~ Bee”

Proverbs 24:13-16 &
Ephesians 2:1-10

Most members of the wasp family are predators, but hornets and yellow jackets are also carrion insects [feeding on animal carcasses].



Social wasps are omnivorous and kill and eat other insects, they scavenge protein as well as seek sweet liquids. They are completely focused on survival and the present.

Members of the wasp family do some pollination, but it is very limited. They build elaborate nests of paper which resemble the comb structure that bees build of wax.

“Busy as a ~~Hornet~~ Bee”

Proverbs 24:13-16 &
Ephesians 2:1-10

Oriental Hornet, 2 inches in length. They are mentioned in the Bible for driving the Canaanites out.



Hornets/Yellow Jackets are busy and active creatures. They are social creatures who are aggressive in pursuit of food and nesting sites. Hornets are mentioned in the Bible as destructive and belligerent creatures. They are territorial and vicious toward other insects, especially bees.

Exodus 23:28 [ESV]

28 And I will send hornets before you, which shall drive out the Hivites, the Canaanites, and the Hittites from before you.

Deuteronomy 7:20 [ESV]

20 Moreover, the LORD your God will send hornets among them, until those who are left and hide themselves from you are destroyed.

Joshua 24:12 [ESV]

12 And I sent the hornet before you, which drove them out before you, the two kings of the Amorites; it was not by your sword or by your bow.

“Busy as a ~~Hornet~~ Bee”

Proverbs 24:13-16 & Ephesians 2:1-10

Hornets and Yellow Jackets build similar nests, hornet colonies usually number less than 100 while yellow jacket colonies can number up to 5000.

When we live like a hornet, we follow our appetites and our emotions. These make us easy to ensnare while we are dangerous to those around us. A hornet nest will last no more than 1 year, most die out after 6 months. The queen lives only a year. The focus of the colony is to produce new queens that will winter and start a new colony the next year. They will nest under ground, under eaves or in trees.



“Busy as a ~~Hornet~~ Bee”

Proverbs 24:13-16 &

Ephesians 2:1-10

Yellow Jackets and hornets are easy to trap. A simple trap is made by using a plastic 1 or 2 liter bottle. The bait is any meat product, hot dogs, cat food, tuna etc. To increase the effectiveness mix apple juice with a small amount of dish soap. Allow some to remain on the outside as an attractant.

If we live like hornets we will be easily ensnared.



Pumpkin Hornet Trap at my house. In less than 3 days trapped over 100 yellow jackets. Traps flies and moths as well.

Romans 3:9-18 [ESV]

9 What then? Are we Jews any better off? No, not at all. For we have already charged that all, both Jews and Greeks, are under sin, 10 as it is written: "None is righteous, no, not one; 11 no one understands; no one seeks for God. 12 All have turned aside; together they have become worthless; no one does good, not even one." 13 "Their throat is an open grave; they use their tongues to deceive." "The venom of asps is under their lips." 14 "Their mouth is full of curses and bitterness." 15 "Their feet are swift to shed blood; 16 in their paths are ruin and misery, 17 and the way of peace they have not known." 18 "There is no fear of God before their eyes."

“Busy as a ~~Hornet~~ Bee”

Proverbs 24:13-16 & Ephesians 2:1-10

People with the Nature of Hornets – Romans 3:9-18.

1. They operate from a self-centered nature. Vv 9-10
2. They are intentionally ignorant of God’s nature. Vs. 11
3. They seek after worthless things. Vs. 12
4. They destroy others with their words. Vv. 13-14
5. They leave a wake of destruction. Vv. 15-16
6. They seek conflict. Vs. 17
7. They don’t respect God. Vs. 18

Manchurian Hornet largest in world 2 ½ inches. Called the “Murder Hornet”. It’s sting can kill small animals. It is very aggressive. Colonies usually number less than 25. Spotted in Washington State in 2020.

Image: Yasunori Koide - Wikimedia Commons



Ephesians 2:4-9 [ESV]

4 But God, being rich in mercy, because of the great love with which he loved us, 5 even when we were dead in our trespasses, made us alive together with Christ — by grace you have been saved — 6 and raised us up with him and seated us with him in the heavenly places in Christ Jesus, 7 so that in the coming ages he might show the immeasurable riches of his grace in kindness toward us in Christ Jesus.

8 For by grace you have been saved through faith. And this is not your own doing; it is the gift of God, 9 not a result of works, so that no one may boast.

“Busy as a ~~Hornet~~ Bee”

Proverbs 24:13-16 &

Ephesians 2:1-10

Becoming A Bee – Ephesians 2:4-9

Bees also live in hierarchical colonies but instead of being agents of destruction, they produce honey and wax as well as pollinating flowers.



Skep niches in the southern wall of a Medieval house. Bee keeping is as ancient as the Egyptians. The skep is one of the oldest hive styles.



One of the oldest types of bee hives called a “skep” It is made of ropes of twisted grass or straw. A swarm of bees are captured and established in the hive.

Sept. 3, 2023

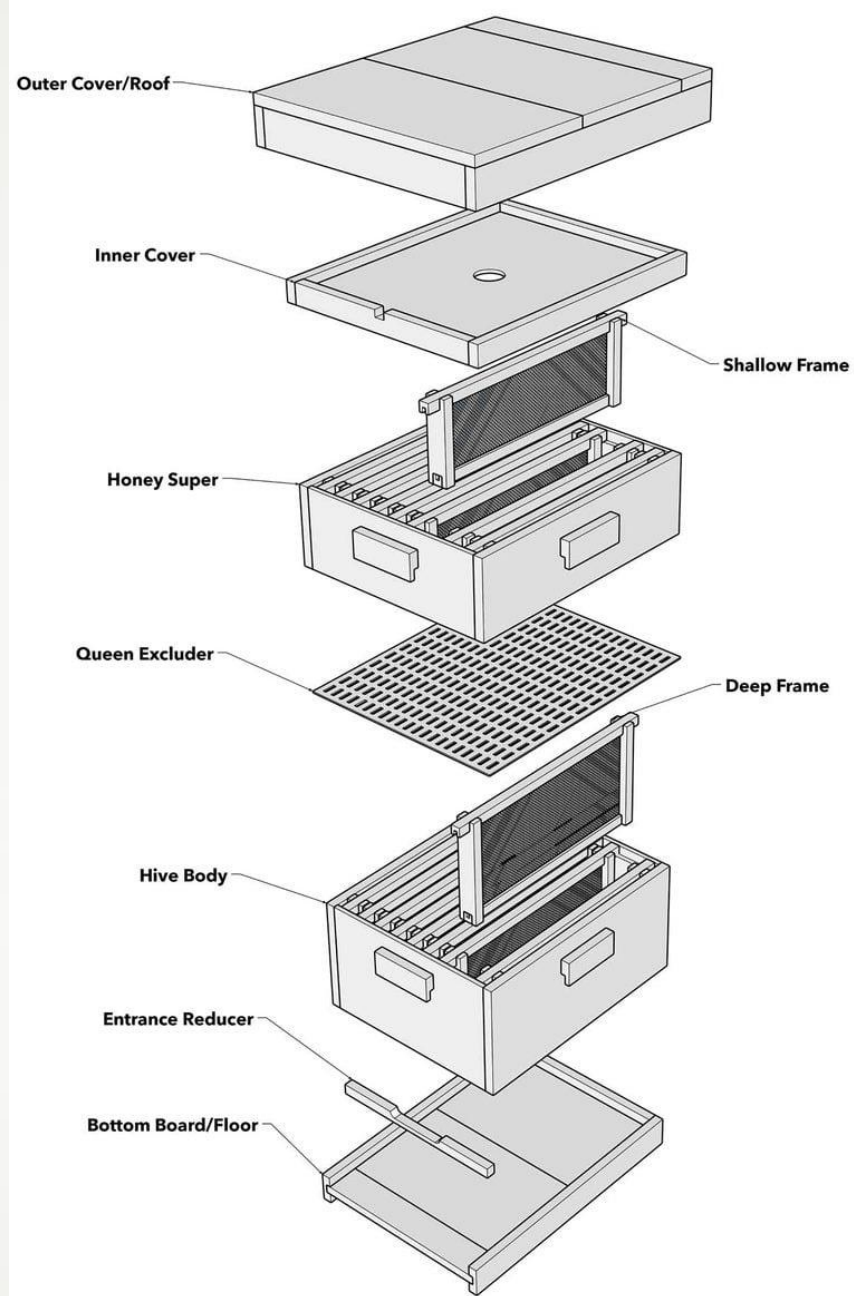
“Busy as a ~~Hornet~~ Bee”

Proverbs 24:13-16 &

Ephesians 2:1-10

Becoming A Bee – Ephesians 2:4-9

Often the skep and the colony would be destroyed to access the honey and wax at the end of a season, only a few skep colonies were wintered over to produce swarms in the spring. A hive generally represents in human thinking a well ordered community. Bees have generally been seen as a positive benefit.



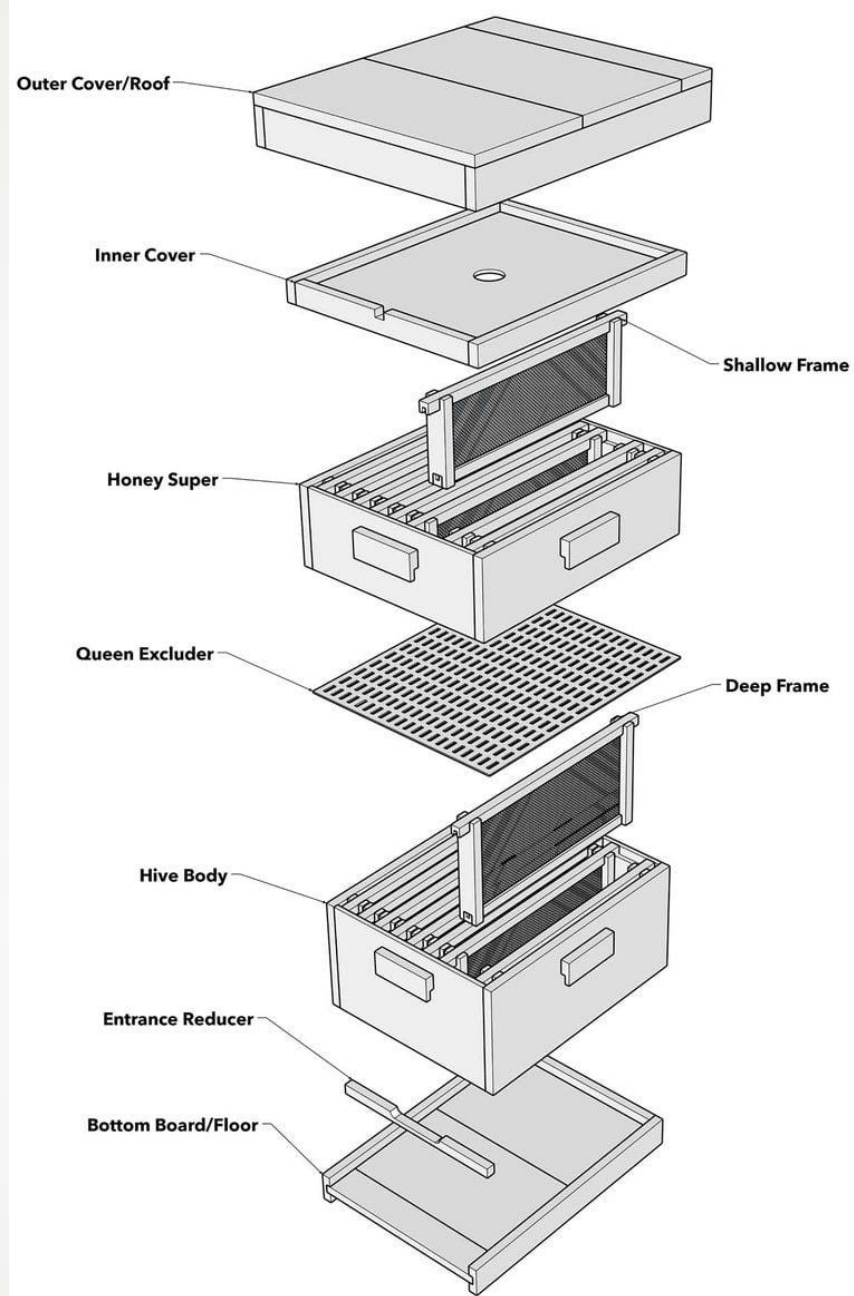
Modern Bee hive.

Sept. 3, 2023

“Busy as a ~~Hornet~~ Bee”

Proverbs 24:13-16 &
Ephesians 2:1-10

The colony protects the queen when the temp drops below 50 degrees by balling up around her and warming her with the heat of their bodies. They will maintain the temperature of the queen at around 96 degrees even at the cost of their own lives. The hive is maintained during the summer at around 104 degrees for incubation.



Modern Bee hive.

Sept. 3, 2023

Psalm 19:7-14 [ESV]

7 The law of the LORD is perfect, reviving the soul; the testimony of the LORD is sure, making wise the simple;

8 the precepts of the LORD are right, rejoicing the heart; the commandment of the LORD is pure, enlightening the eyes;

9 the fear of the LORD is clean, enduring forever; the rules of the LORD are true, and righteous altogether.

10 More to be desired are they than gold, even much fine gold; sweeter also than honey and drippings of the honeycomb.

11 Moreover, by them is your servant warned; in keeping them there is great reward.

12 Who can discern his errors? Declare me innocent from hidden faults.

13 Keep back your servant also from presumptuous sins; let them not have dominion over me! Then I shall be blameless, and innocent of great transgression.

14 Let the words of my mouth and the meditation of my heart be acceptable in your sight, O LORD, my rock and my redeemer.



“Busy as a ~~Hornet~~ Bee”

Proverbs 24:13-16 & Ephesians
2:1-10

“Bee Keepers” by Peiter Burgmann the
Elder, 1568

Psalm 19:7-14 – Developing The Character of a Bee

- We must learning the Law [The Purpose of God] – vv. 7-8
- We must respect and honor God - vs. 9
- There are benefits when we learn God’s purpose and respect and honor him – vv. 10-11
 1. It fills our lives with value.
 2. It brings joy rather than happiness.
 3. It provides warning of life’s dangers.
 4. It leads to honor and success.
- We need a healthy dose of self skepticism and awareness – vv. 12-13
- We must desire to honor God.

Ephesians 2:10 [ESV]

10 For we are his workmanship, created in Christ Jesus for good works, which God prepared beforehand, that we should walk in them.

**“Busy as a
Hornet– Bee”**

Proverbs 24:13-16
& Ephesians 2:1-
10

Living Like A Bee – Ephesians 2:10 –
Modern hives are designed to exclude most
hornets but because yellow jackets are near
the same size they are not as easily
excluded. Bees will defend their colony and
queen to the death. They deal with murder
hornets by balling around them and killing
them with the heat of their bodies. .



Honey bees defending their
hive against a yellow jacket
invasion. Hornets attack
bees and their colonies. A
colony of hornets can
destroy a bee colony in one
night.

Leviticus 2:11-12 [ESV]

11 "No grain offering that you bring to the LORD shall be made with leaven, for you shall burn no leaven nor any honey as a food offering to the LORD.

12 As an offering of firstfruits you may bring them to the LORD, but they shall not be offered on the altar for a pleasing aroma.

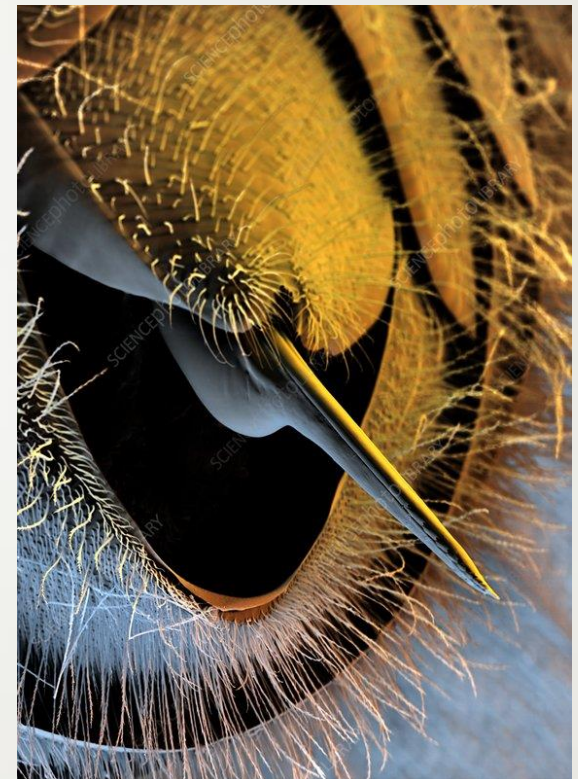
“Busy as a ~~Hornet~~ Bee”

Proverbs 24:13-16 &
Ephesians 2:1-10

The stingers of both bees and hornets are similar in structure. But a bee will usually lose part of its abdomen when stinging causing her death. A hornet can sting multiple times as well as bite. A hornet has no reason not to use its stinger. A Bee uses it only when it perceives a threat to the colony or its purpose. In Leviticus 2:11-12 God would receive honey as a peace offering but not a sacrifice. The work of the bee is not repentance or justice, but fellowship.



Hornet stinger



Bee stinger

Sept. 3, 2023

Philippians 1:6 [ESV]

6 And I am sure of this, that he who began a good work in you will bring it to completion at the day of Jesus Christ.

“Busy as a ~~Hornet~~ Bee”

Proverbs 24:13-16 &
Ephesians 2:1-10

Because bees are designed to do good work, they make even the most difficult of places useful and productive.

Both hornets and bees are hard-workers, but one is an agent of destruction and the other an agent of production. The question is what type of worker are you?

As Christians God has called us to be productive not destructive.

Garrison Church of God



A wild bee hive in the hollow of a tree. Bees will establish a hive in any hollow space near flowers and water.

Sept. 3, 2023